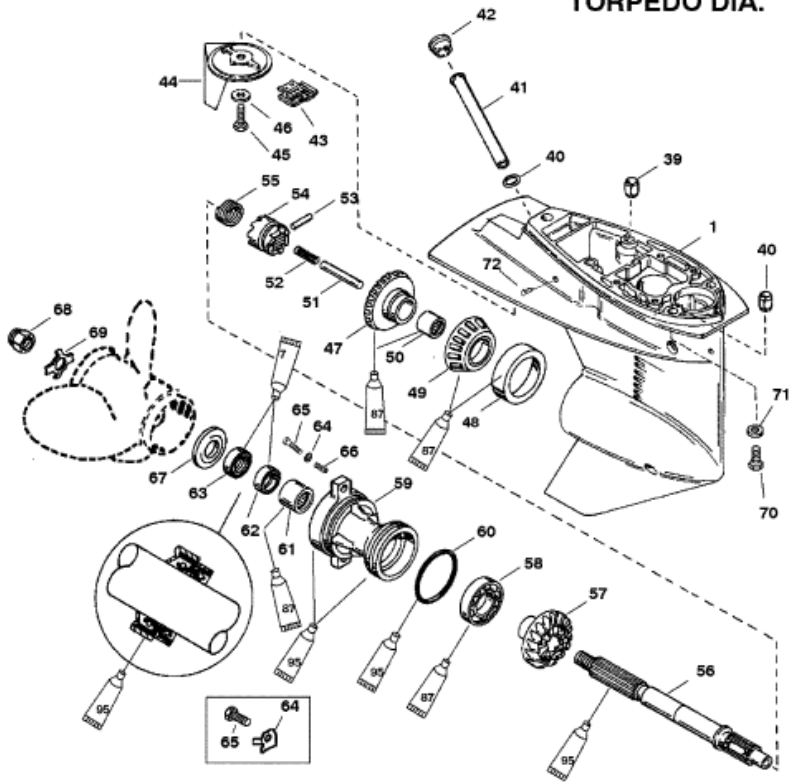


**3.44 IN./135MM
 TORPEDO DIA.**



-  Loctite "271" Adhesive Sealant (92-809619)
-  Super Duty Gear Lubricant (92-13783A24)
-  2-4-C w/Teflon (92-825407A12)

Parts List						
Ref	Class	Part	Description	Qty	Comment	Footnote
-	1682	821306A24	GEAR HOUSING	1	(BLACK) S/N-0G442710 & UP 1.83	
-	1682	821306A25	GEAR HOUSING	1	(GRAY) S/N-0G442710 & UP 1.83	
-	1682	821306A17	GEAR HOUSING	1	(BLACK) S/N-0G442709 & BELOW	
-	1682	821306A18	GEAR HOUSING	1	(GRAY) S/N-0G442709 & BELOW	
1	1682	821306A12	GEAR HOUSING	1	(BLACK)	
1	1682	821306A13	GEAR HOUSING	1	(GRAY)	
39	17	821327	DOWEL PIN	2		
40	27	823942	GASKET WATER TUBE	1		
41	32	821828	TUBE	1		
42	19	824928	PLUG-RUBBER	1		
43		821829	SCREEN-WATER INLET	1		
44		822157C 2	TRIM TAB	1		
45	10	824970 20	SCREW (M8 X 20)	1		
46	12	72397	WASHER	1		
47	43	822162A 2	FORWARD GEAR (22 TEETH)	1	(1.83:1 GEAR RATIO)	
47	43	821315A 1	FORWARD GEAR (26 TEETH)	1	(2:1 GEAR RATIO)	
48	31	99328A 1	ROLLER BEARING ASSY.	1		
49		NSS	CUP	1		7
50	31	41326	ROLLER BEARING	1		
51		821578	FOLLOWER-CAM	1		
52	24	826199 1	SPRING	1		
53	17	85093	PIN-CROSS	1		
54	52	821314	CLUTCH	1		
55	24	38114	SPRING	1		
56	44	821577 2	PROPELLER SHAFT	1		3
57	43	822163	REVERSE GEAR (22 TEETH)	1	(1.83:1 GEAR RATIO)	
57	43	821312	REVERSE GEAR (26 TEETH)	1	(2:1 GEAR RATIO)	
58	30	20839	BALL BEARING	1		
59		19291A 3	BEARING CARRIER	1		
60	25	815460	O RING	1		12
61	31	21700	NEEDLE BEARING	1		
62	26	69188	OIL SEAL	1		12
63	26	69189	OIL SEAL	1		12
64	14	826613	TAB WASHER	2		
64	12	855941	WASHER	2	(USE W/THREADED INSERT)	
65	10	40003 53	SCREW (M8 X 25)	2	(USE W/TAB WASHER)	
65	10	855940 30	SCREW	2	(USE W/THREADED INSERT)	
66		822773 1	THREADED INSERT	2		
67		73345A 1	THRUST HUB	1	THESE REPLACEMENT PARTS.	
68	11	69578A 1	PROP NUT KIT	1	THESE REPLACEMENT PARTS.	
69	14	72397	TAB WASHER	1	THESE REPLACEMENT PARTS.	